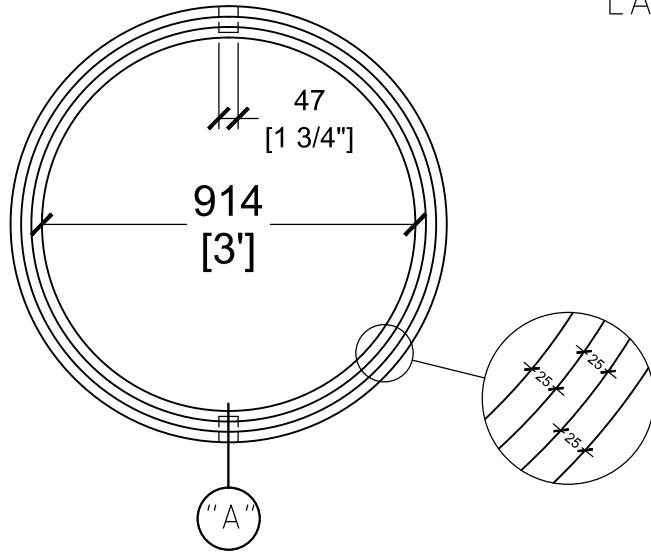


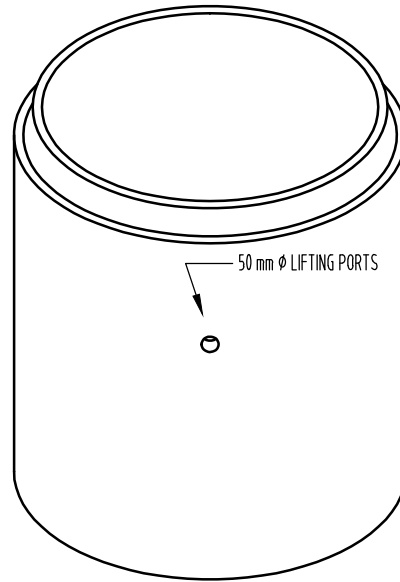
6% - 8% AIR ENTRAINED
 35 MPa (5000 psi) @ 28 DAYS
 AS PER CSA A23.4-09 STANDARD

ALL DIMENSIONS DEFAULT TO
 MILLIMETERS $\frac{\text{mm}}{[in]}$

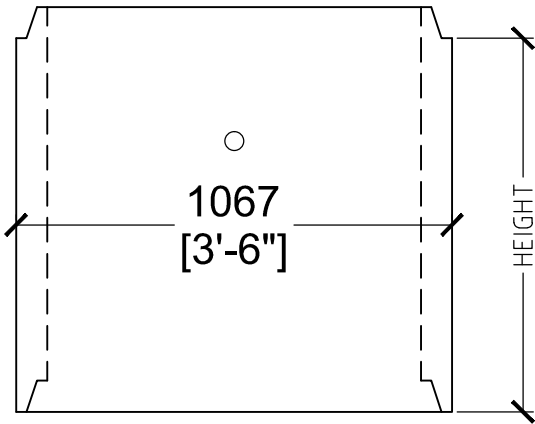
REINFORCEMENT IN WELL TILES IS A
 LAYERS OF 6" C/C 2-WAY WIRE MESH



PLAN VIEW



ISOMETRIC VIEW



CROSS SECTION A

3' WELL TILES AVAILABLE IN FIVE
 DIFFERENT HEIGHTS, SEE LIST BELOW :

- 12 " : WEIGHT 173.55 KG / 382.65 LBS
- 24 " : WEIGHT 347.10 KG / 765.30 LBS
- 36 " : WEIGHT 520.65 KG / 1147.95 LBS
- 48 " : WEIGHT 649.20 KG / 1530.60 LBS
- 72 " : WEIGHT 1041.30 KG / 2295.90 LBS

MOOSE CREEK CEMENT PRODUCTS (2006) LIMITED
 3' Ø WELL TILES

NOT TO SCALE

DATE JUNE 2011

16525 SIXTH RD, MOOSE CREEK, ON
 KOC 1W0
 PHONE : (613)-538-2381
 FAX : (613)-538-4870

