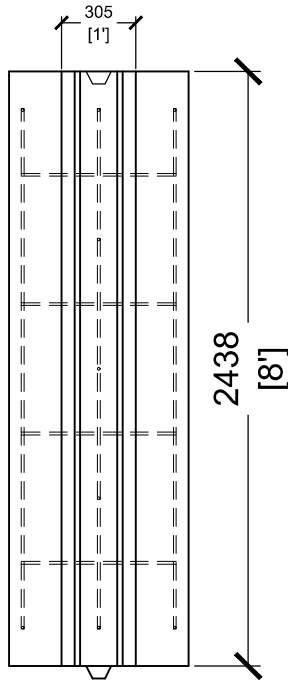


WEIGHT 1900 KG / 4187.2 LBS

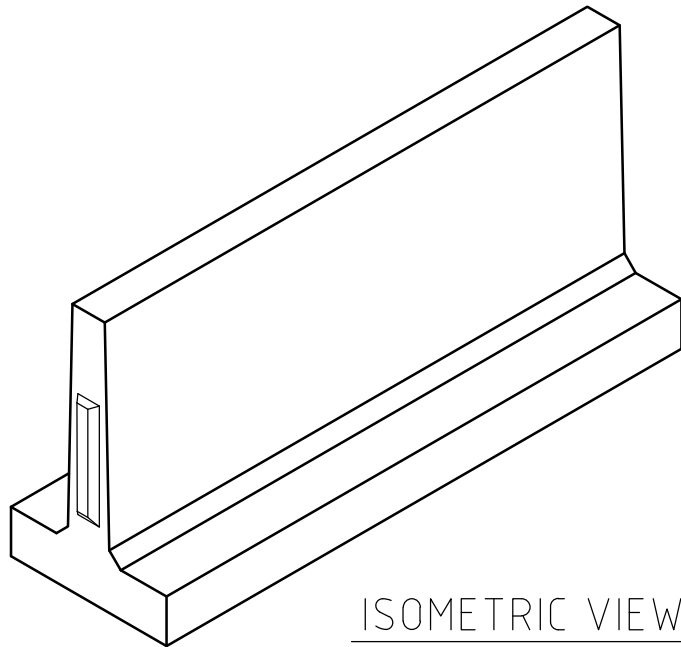
6% - 8% AIR ENTRAINED  
35 MPa (5000 psi) @ 28 DAYS  
AS PER CSA A23.4-09 STANDARD

ALL DIMENSIONS DEFAULT TO  
MILLIMETERS  $\frac{\text{mm}}{[ \text{in} ]}$

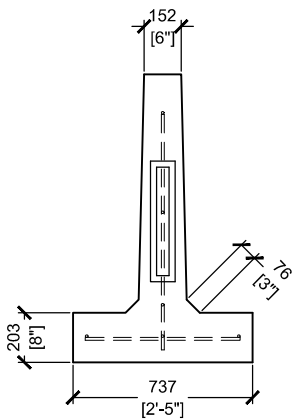
10M REBAR TO BE USED THROUGHOUT  
AND WELDED AT EVERY JUNCTION.



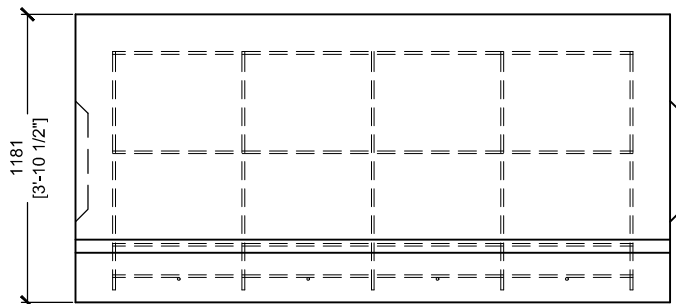
PLAN VIEW



ISOMETRIC VIEW



SIDE VIEW A



SIDE VIEW B

MOOSE CREEK CEMENT PRODUCTS (2006) LIMITED  
RETAINING WALL

NOT TO SCALE

16525 SIXTH RD, MOOSE CREEK, ON  
KOC 1W0

DATE JULY 2011

PHONE : (613)-538-2381

FAX : (613)-538-4870

