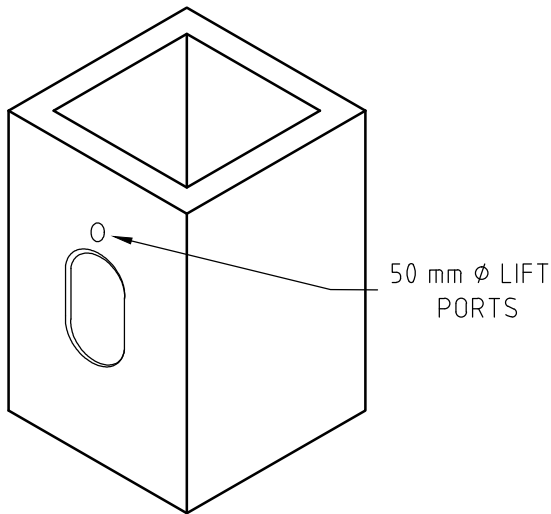


6% - 8% AIR ENTRAINED
 35 MPa (5000 psi) @ 28 DAYS
 AS PER CSA A23.4-09 STANDARD
 AND CSA A257.4-09 STANDARD

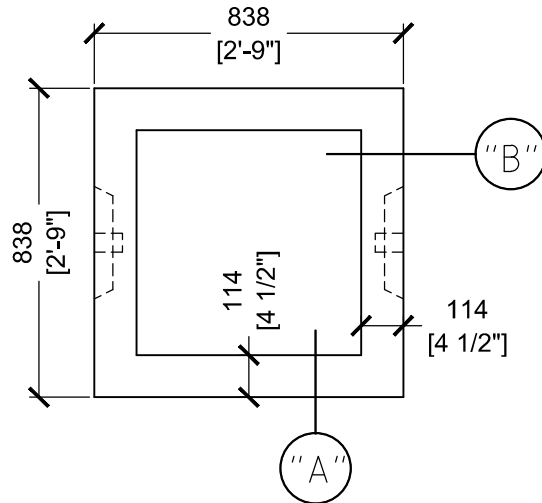
CATCH BASINS AVAILABLE IN THREE
 DIFFERENT HEIGHTS, SEE LIST BELOW :
 48 " : WEIGHT 1173.90 KG / 2588.00 LBS
 60 " : WEIGHT 1415.90 KG / 3121.55 LBS
 72 " : WEIGHT 1657.90 KG / 3655.10 LBS

ALL DIMENSIONS DEFAULT TO
 MILLIMETERS mm
[in]

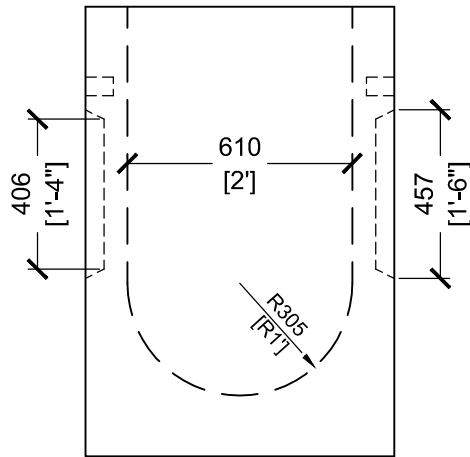
REINFORCEMENT IN CATCH BASIN IS TWO
 LAYERS OF 6" C/C 2-WAY 10ga WIRE MESH



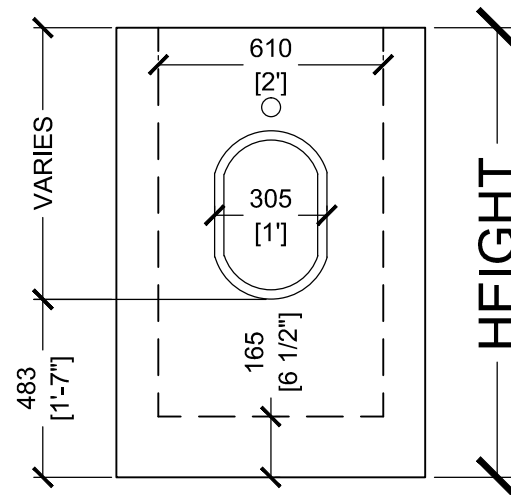
ISOMETRIC VIEW



PLAN VIEW



CROSS SECTION A



CROSS SECTION B

MOOSE CREEK CEMENT PRODUCTS (2006) LIMITED
 CATCH BASIN

NOT TO SCALE

DATE JULY 2011

16525 SIXTH RD, MOOSE CREEK, ON
 KOC 1W0
 PHONE : (613)-538-2381
 FAX : (613)-538-4870

